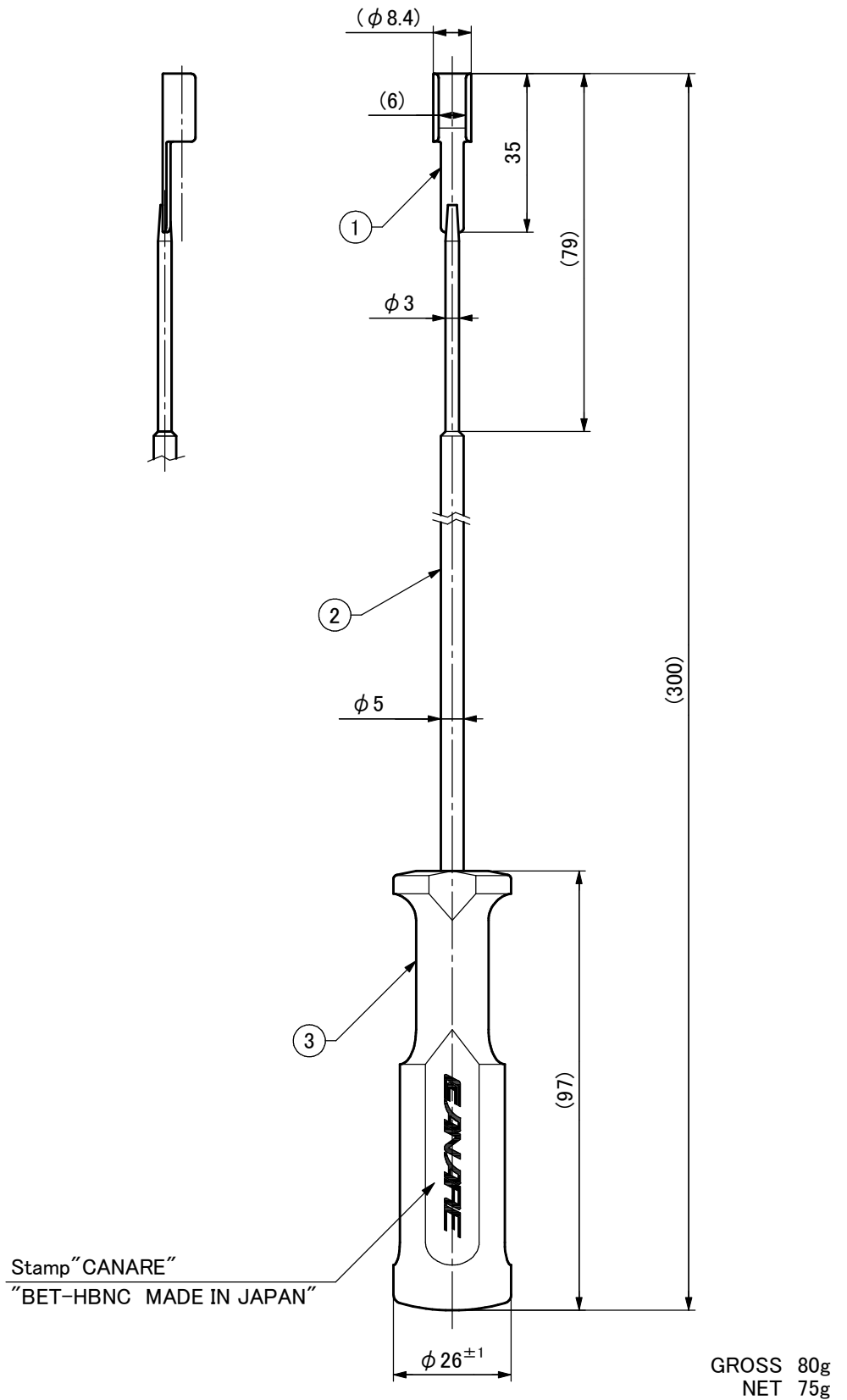


External Appearance



3	Handle	1	Cellulose acetate		-				
2	Shaft	1	SUS		Nickel plating				
1	Head	1	SUS		Nickel plating				
No.	Name of Parts	Pc(s).	Material			End Finish			
Title	Micro BNC connector removal tool	PJTN	Unit	Sc.	Tol.	Date	Ver. 1.0	Model	No.
			mm	1: $\sqrt{2}$	± 0.1	2022-05-31		BET-HBNC	HL157