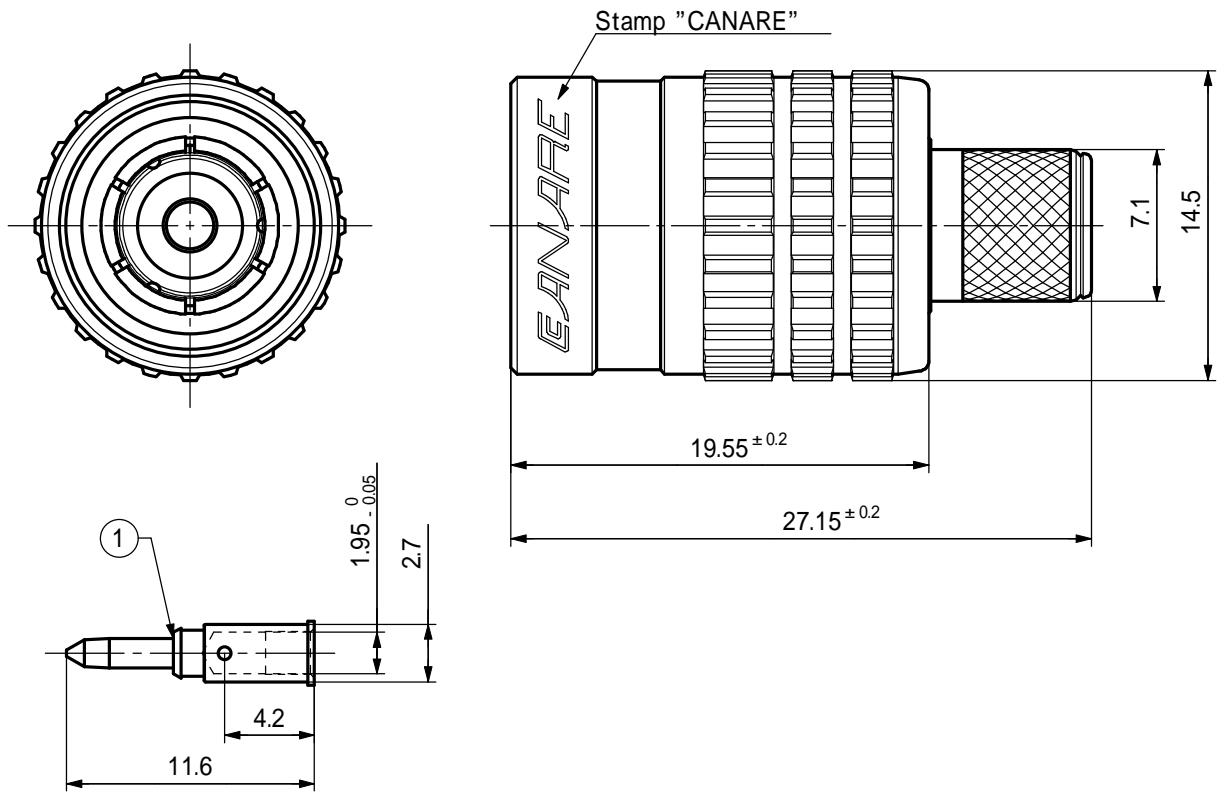
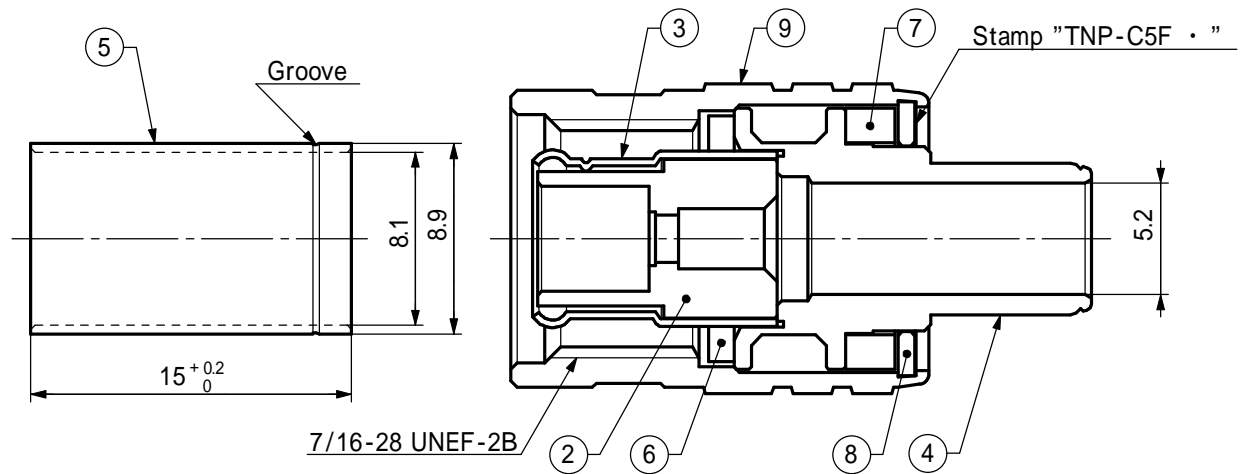


External Appearance



Construction



9	Coupling Sleeve	1	Brass	Nickel Plating					
8	Washer	1	Brass	Nickel Plating					
7	Bush	1	Polyacetal	-					
6	Gasket	1	Silicone Rubber	-					
5	Crimp Sleeve	1	Copper	Tin Plating					
4	Body	1	Brass	Nickel Plating					
3	Outer Contact	1	Beryllium Copper	Nickel Plating					
2	Insulator	1	PTFE	-					
1	Male Center Contact	1	Brass	Gold Plating					
No.	Name of Parts	Pc(s).	Material	Finish					
Title	CRIMP TYPE	PJTN	Unit	Sc.	Tol.	Date	Ver. 1.1	Model	No.
	50 TNC PLUG		mm	2 2:1	± 0.1	2006-01-31		TNP-C5F	BL353